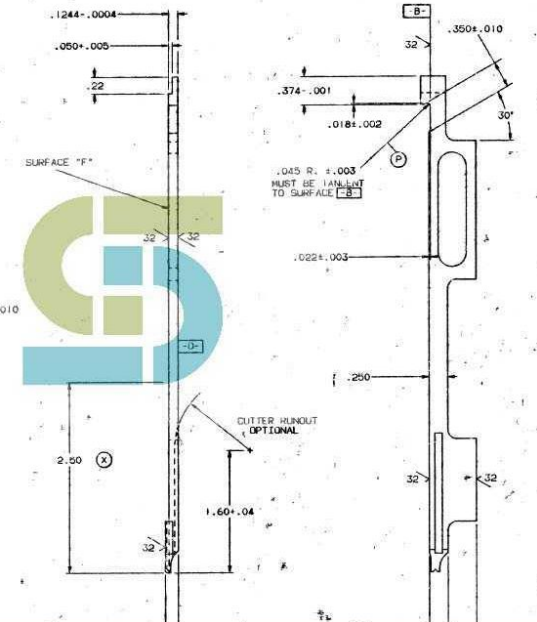
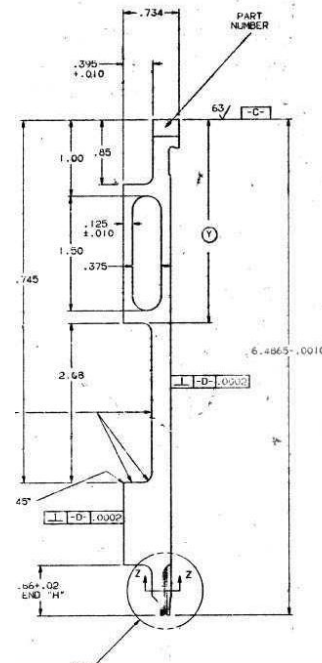
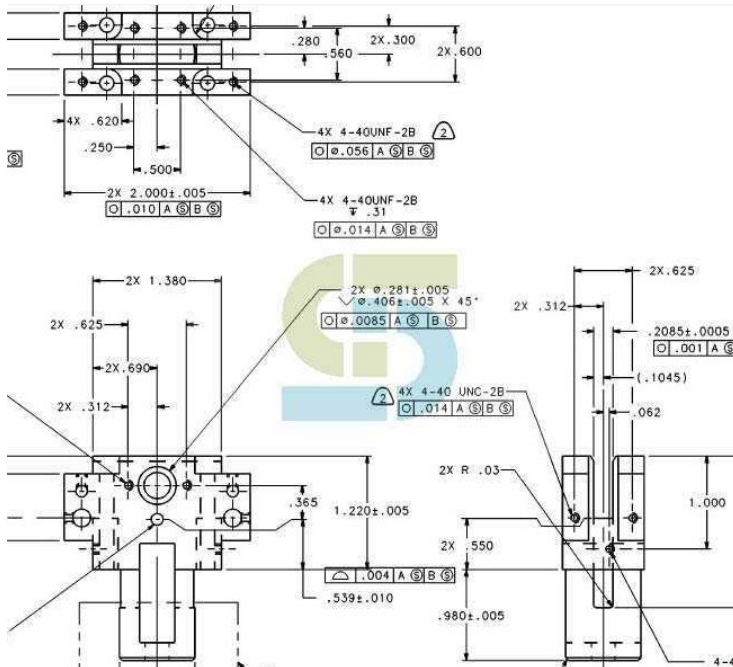
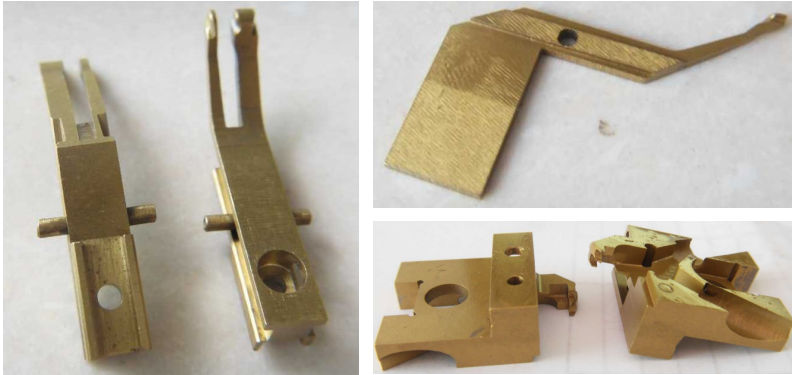


Professional to provide the AI/SMT machines' spare parts.

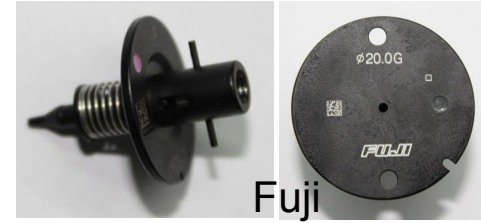
1. We have different original spare parts' drawing, though our spare parts are high copy, but we can manufacture **the same quality as original**, and the price is **lower than the original 10 times**. At the same time, we **promise the enough life of spare parts 100%**.



2. Provide different spare parts and wearing parts of different brands and models. (UIC, TDK, Panasonic, Samsung, Fuji, Juki, SIMMENS.....) Only need to tell us your parts' machine model and P/N.



TDK



Fuji



Juki



Samsung



UIC



YAMAHA



Panasonic

3. After receive order ,we will prepare the products right away for you,once receive your payment,we will delivery in a short time. Maximum shortened the time for customers to get the goods.



4. Carefully check the quality before every shipment .



5. Strict requirements on packing . Ensure that after let customer received parts not only won't disappoint , instead of happy .



Welcome inquiry

- 1, Please visit : www.smthelp.com
- 2, Find us more: <https://www.facebook.com/autoinsertion>
- 3, Know more our team: <https://cn.linkedin.com/in/smtsupplier>
- 4, Welcome to our factory in Shenzhen China
- 5, Google: Auto+Insertion
- 6, Looking forward to your email: Ronin@smthelp.com